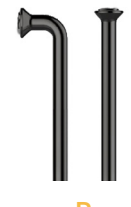
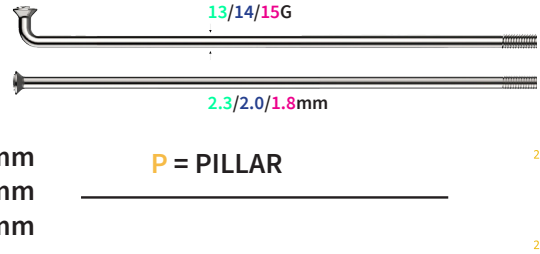
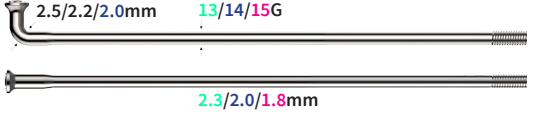
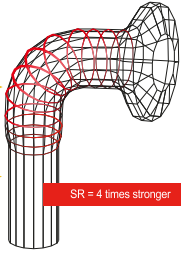


PLAIN GAUGE SPOKES

T302+

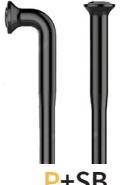
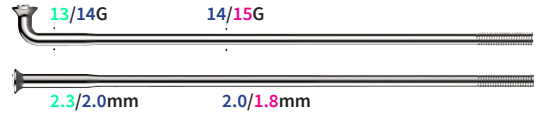
 <b>P</b>	<b>P 13</b> 8.5g <b>P 14</b> 6.5g <b>P 15</b> 5.5g	 13G = 2.3mm 14G = 2.0mm 15G = 1.8mm	 2.5/2.2/2.0mm 13/14/15G 2.3/2.0/1.8mm	 SR = 4 times stronger
	<b>PSR 13</b> 8.5g <b>PSR 14</b> 6.5g <b>PSR 15</b> 5.5g			

**P = PILLAR**


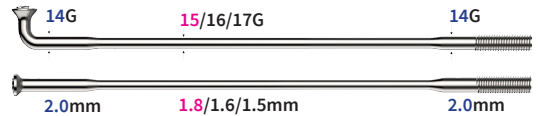
**SR = SPOKE REINFORCED (+0.2mm INCREASED HEADSECTION)**

BUTTED SPOKES


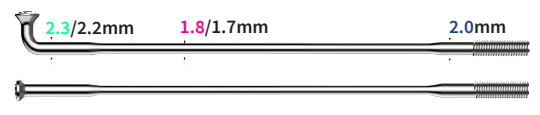
BUTTED PSR SC-TI COLOUR PC AC T302+

 <b>P+SB</b>	<b>PSB 34</b> 6.8g <b>PSB 45</b> 5.6g	 13/14G 14/15G 2.3/2.0mm 2.0/1.8mm
	<b>PDB 1415</b> 5.7g <b>PDB 1416</b> 4.7g <b>PDB 1417</b> 4.3g	


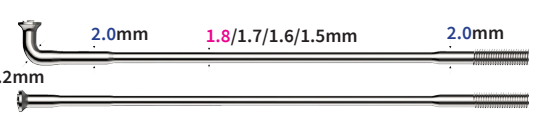
**SB = SINGLE BUTTED**

 <b>P+DB</b>	<b>PTB 380</b> 6.3g <b>PTB 270</b> 5.3g	 14G 15/16/17G 14G 2.0mm 1.8/1.6/1.5mm 2.0mm
	<b>PSR TB 2018</b> 5.7g <b>PSR TB 2017</b> 5.2g <b>PSR TB 2016</b> 4.7g <b>PSR TB 2015</b> 4.3g	


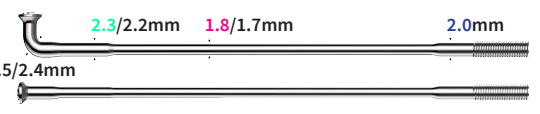
**DB = DOUBLE BUTTED**

 <b>P+TB</b>	<b>PSR TB 2018</b> 5.7g <b>PSR TB 2017</b> 5.2g <b>PSR TB 2016</b> 4.7g <b>PSR TB 2015</b> 4.3g	 2.3/2.2mm 1.8/1.7mm 2.0mm
	<b>PSR QB 5380</b> 6.3g <b>PSR QB 4270</b> 5.8g	

**TB = TRIPLE BUTTED**

 <b>P+SR+TB</b>	<b>PSR TB 2018</b> 5.7g <b>PSR TB 2017</b> 5.2g <b>PSR TB 2016</b> 4.7g <b>PSR TB 2015</b> 4.3g	 2.0mm 1.8/1.7/1.6/1.5mm 2.0mm 2.2mm
	<b>PSR QB 5380</b> 6.3g <b>PSR QB 4270</b> 5.8g	

**QB = QUADRUPLE BUTTED**

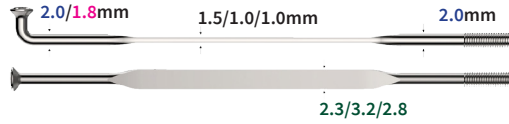
 <b>P+SR+QB</b>	<b>PSR QB 5380</b> 6.3g <b>PSR QB 4270</b> 5.8g	 2.3/2.2mm 1.8/1.7mm 2.0mm 2.5/2.4mm
---	--	--

AERO SPOKES



P+A

- PA 1423 6.5g
- PA 1432 6.5g
- PA 1528 5.5g

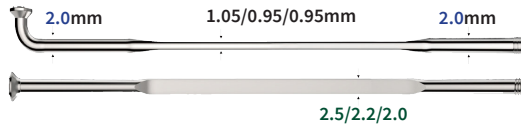


A = AERO



P+BA

- PBA 1425 5.7g
- PBA 1422 4.7g
- PBA 1420 4.3g

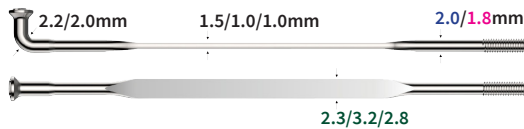


BA = AERO BUTTED



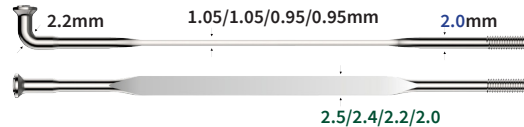
P+SR+AERO

- PSR AERO 1423 6.5g
- PSR AERO 1432 6.5g
- PSR AERO 1528 5.5g



P+SR+X-TRA

- PSR X-TRA 1425 5.7g
- PSR X-TRA 1424 5.2g
- PSR X-TRA 1422 4.7g
- PSR X-TRA 1420 4.3g



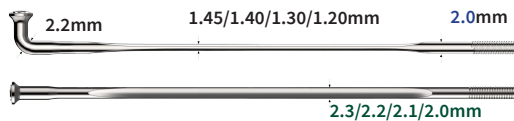
X-TRA = PAT. COLD FORGE TECHNOLOGY

WING SPOKES



PSR+WING

- PSR WING 23 5.7g
- PSR WING 22 5.2g
- PSR WING 21 4.7g
- PSR WING 20 4.3g



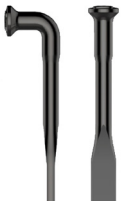
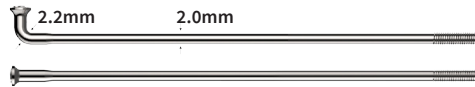
SUPER LITE SPOKES



PST 14

4.0g

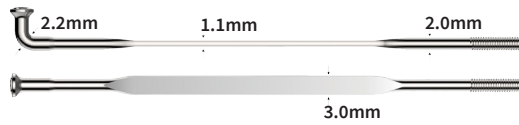
ST = STANDARD TITANIUM



PST AERO 1430

4.0g

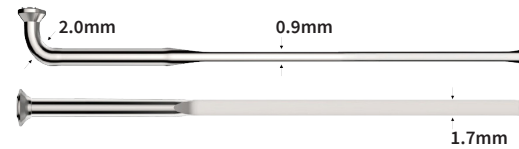
ST = STANDARD TITANIUM



MEGA LITE SS

3.5g

SS = STAINLESS STEEL



X-TRA LITE TI

2.6g

FORGED TITANIUM BLADED AERO SPOKE

